

## DESCRIPTION

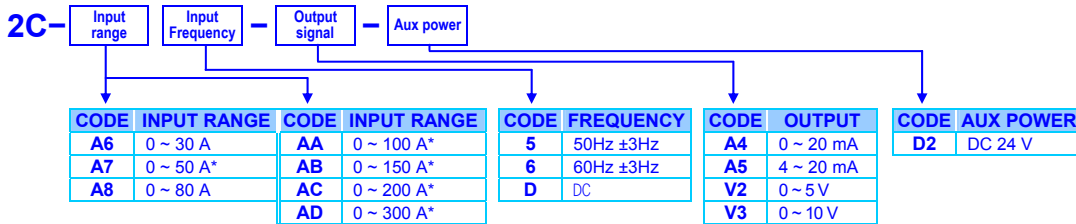
Product designed using Hall Effect theory with fast output response characteristic. With Clamp like structure, it is safe and convenience to install in any kind of current measuring system. Widely use in DC/AC current including current bipolar and DC pulse conversion for monitoring and control.



## FEATURES

- Split core CT with Clamp, easy installation
- Wide Range of Inputs fulfilling all needs
- Direct connect AC or DC current( 0~30A/~300A max)
- Compact, DIN rail mounting

## ORDERING INFORMATION



## SPECIFICATIONS

- Measuring Current**  
**Measure:** Hall Effect CT  
**Measuring range:** Specify AC/DC , input range, frequency  
 30A,50A,80A,100A,150A,200A,300A  
**Accuracy:** ≤± 0.5% of FS  
**Response time:** ≤ 250mSec  
**Max burden capacity:** ≤ 20times, not exceeding 500A
- Analogue output**  
**Ripples:** 0~50% of rated: ≤± 0.25% of FS  
 51~100% of rated: ≤± 0.2% of FS  
**Isolation:** Between measuring current(input) and output  
**Output:** Voltage: 0~5V / 0~10V; current: 0~20mA / 4~20mA  
 Please specify range when ordering  
**Span adjustment:** ≤ 5% of FS  
**Zero adjustment:** ≤ 5% of FS  
**Output Load:** Voltage: 0~5/~10V: ≥ 2500Ω;  
 Current: 4(0)~20mA: ≤ 250Ω max

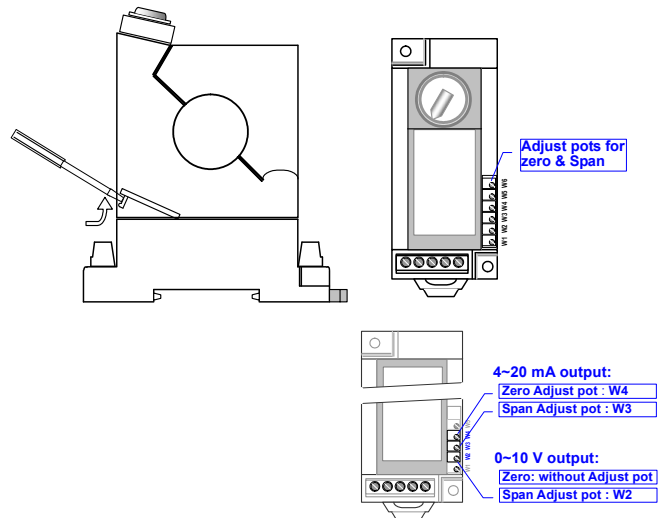
- Electrical Safety**  
**Dielectric strength:** AC 2.0 KV · 1Min, between input / output(Aux) / case  
**Insulation resistance:** ≥100M ohm at 500Vdc, between input / output(Aux) / case  
**Isolation:** Between input / output(Aux)

- Power**  
**Aux power:** DC 24V ± 10%  
**Power consumptions:** Smaller then 2.0VA

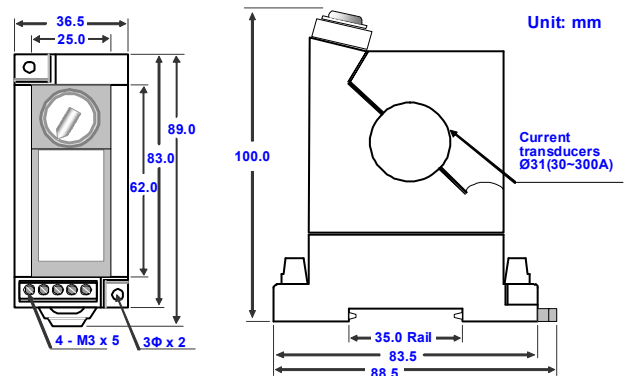
- Environmental**  
**Operating temp.:** 0~50°C  
**Operating humidity:** 20~95 %RH, non-condensing  
**Temp. coefficient:** ≤200 PPM/°C  
**Storage temp.:** -10~70 °C  
**Enclosure:** IEC 529 (IP52); Case: IP20

- Mechanical**  
**Dimensions:** 36.5mm(W) x 100mm(H) x 83.5mm(D)  
 Window Φ31mm  
**Case material:** ABS (UL 94V-0)  
**Installation:** DIN rail mounting (35mm)  
**Wiring terminal:** 5A/300Vac, M2.0, 0.5~1.3mm²(22~16AWG)  
**Weight:** Under 150g

## ADJUSTMENT



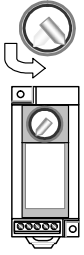
## DIMENSIONS



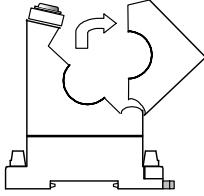
## ■ INSTALLATION

**⚠** ABS casing is quite fragile, when installing please bend wire to fit in hole.

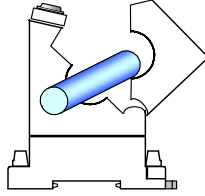
1 Turn switch



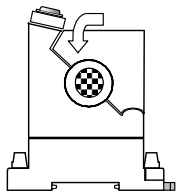
2 Open



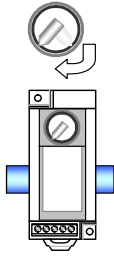
3 Put in wire



4 Close



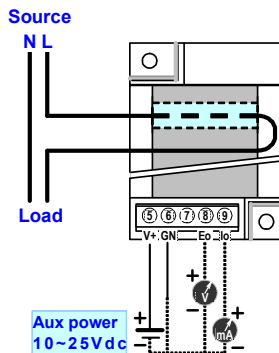
5 Lock switch



## ■ CONNECTION DIAGRAM

When wiring, please ensure Aux voltage is correct and wiring match specify terminal numbers. For safety of equipments and transducer fuse or breaker is recommended.

**⚠** Connection diagram may change without notice, please follow diagram on unit if it differ.



Wiring terminal:  
5A/300Vac, M2.0, 0.5~1.3mm<sup>2</sup>(22~16AWG)