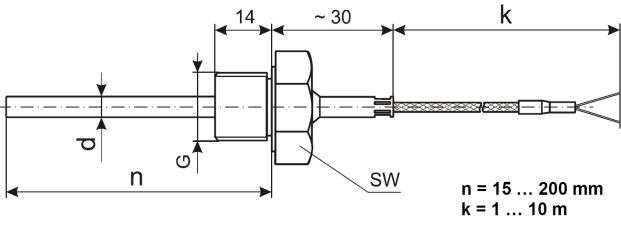
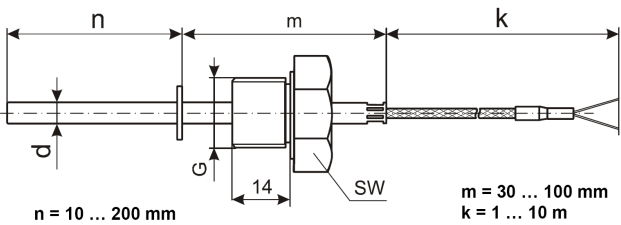
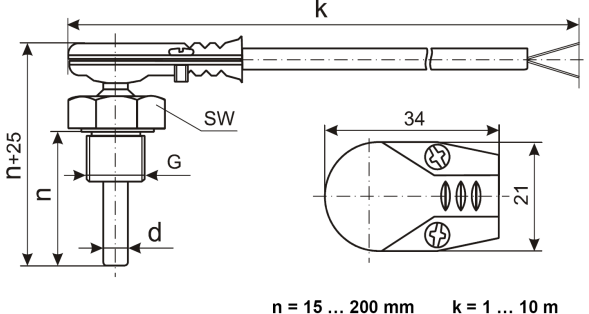
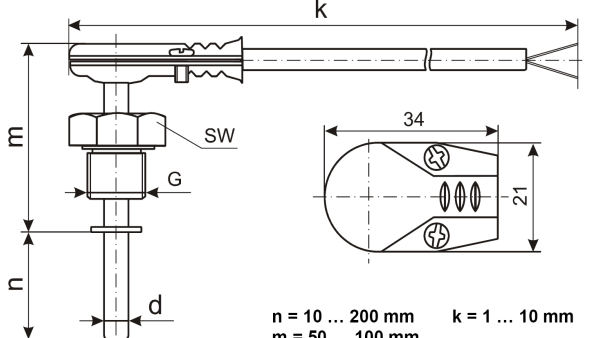


# Sonde de temperatura tip TSAG

SCREW-IN CABLE PROBE Sheath - stainless steel (see table notes) Cable - see table notes	AGx (TSAGx)	SENSITIVE ELEMENT	CABLE TYPE	TEMPERATURE RANGE	DIMENSIONS																					
					d [mm]	wires																				
RTD Design																										
<b>STRAIGHT DESIGN WITH WELDED CONNECTION (AG)</b> 	1 x Pt (RB,RD,RF,RG)	SLSL, TSL, YY, UU, YU GLGL, TT	T9 -50...200 °C T1* -50...400 °C	4, 5 6 8	2, 3* 2, 3, 4* 2, 3, 4																					
	2 x Pt (RB,RD,RF,RG)	TT	T7 0...200 °C T8 0...400 °C T22 -200...200 °C	6, 8	2x2, 2x3*																					
	1 x Cu (RH, RK)	SLSL, TSL, YY, UU, YU GLGL, TT	T9 -50...200 °C T7 0...200 °C	5* 6 8	2, 3* 2, 3, 4* 2, 3, 4																					
	2 x Cu (RH, RK)	GLGL, TT	T7 0...200 °C	6, 8	2x2, 2x3*																					
<b>STRAIGHT DESIGN WITH MOVABLE CONNECTION (AG2)</b> 	1 x PTC (RP, RQ)	SLSL, TSL, YY, UU, YU	T12 -50...100 °C	6	2, 3																					
	2 x PTC (RP, RQ)	GLGL, TT	T19 0...100 °C	8	2x2																					
Thermocouple Design																										
<b>ANGLED DESIGN WITH WELDED CONNECTION (AGL)</b> 	1 x K, 1 x N, 1 x E	SLSL, TSL, YY, UU, YU GLGL, TT, SFSF	T9 -50...200 °C T1* -50...400 °C T8 0...400 °C T4 0...800 °C T3* 0...850 °C	5, 6, 8	2																					
	1 x J, 1 x T	SLSL, TSL, YY, UU, YU GLGL, TT, SFSF	T9 -50...200 °C T1* -50...400 °C T8 0...400 °C T4* 0...800 °C	5, 6, 8	2																					
	<b>Sheath material:</b> 1.4301 (M1), 1.4541 (M2), 1.4571 (M3), 1.4404 (M9)																									
<b>Cable type:</b> - GLGLP(V) (glass fiber w/ steel braid, max. 400 °C ambient temperature) - SLSL or TSL (silicone, max. 250 °C ambient temperature) - TT (Teflon®, max. 250 °C ambient temperature) - YY (PVC, max. 100 °C ambient temperature) - UU or YU (PUR, max. 80 °C ambient temperature) - SFSF (mineral fiber, max. 1000 °C ambient temperature)																										
<b>Applicable cables:</b> <table border="1" style="width: 100%; border-collapse: collapse;"> <thead> <tr> <th>Probe design</th> <th>AG, AG2</th> <th>AGL, AGL2</th> </tr> </thead> <tbody> <tr> <td>Temp. range</td> <td></td> <td></td> </tr> <tr> <td>T12, T19</td> <td>all</td> <td></td> </tr> <tr> <td>T7, T9</td> <td>no PUR, no PVC</td> <td>all</td> </tr> <tr> <td>T22</td> <td>TT</td> <td>TT, SLSL, TSL</td> </tr> <tr> <td>T1, T8</td> <td>GLGLP, SFSF</td> <td>no PUR, no PVC</td> </tr> <tr> <td>T3, T4</td> <td>SFSF</td> <td>GLGLP, SFSF</td> </tr> </tbody> </table>						Probe design	AG, AG2	AGL, AGL2	Temp. range			T12, T19	all		T7, T9	no PUR, no PVC	all	T22	TT	TT, SLSL, TSL	T1, T8	GLGLP, SFSF	no PUR, no PVC	T3, T4	SFSF	GLGLP, SFSF
Probe design	AG, AG2	AGL, AGL2																								
Temp. range																										
T12, T19	all																									
T7, T9	no PUR, no PVC	all																								
T22	TT	TT, SLSL, TSL																								
T1, T8	GLGLP, SFSF	no PUR, no PVC																								
T3, T4	SFSF	GLGLP, SFSF																								
<b>ANGLED DESIGN WITH MOVABLE CONNECTION (AGL2)</b> 	<b>Tip shape:</b> - RTD: standard, narrowed, pitted - T/C: standard (isolated), grounded, open-tube, exposed (see Appendix - Tip shapes)																									
	<b>Accuracy class:</b> - RTD: 'A', 'B', or '2xB' - T/C: '1' or '2' (see Appendix - RTD or T/C Tolerance)																									
<b>Cable connector:</b> 4-pin (C3), 'T/C standard' (C5) or 'T/C miniature' (C6) (see Appendix - Connectors)																										
<b>Available threads and HEX sizes:</b> <table border="1" style="width: 100%; border-collapse: collapse;"> <thead> <tr> <th>G</th> <th>M6</th> <th>M8</th> <th>M10</th> <th>M12</th> <th>M14</th> <th>M16</th> <th>M18</th> <th>M20</th> </tr> </thead> <tbody> <tr> <td>SW</td> <td>10</td> <td>10</td> <td>12(13)</td> <td>14</td> <td>17</td> <td>19</td> <td>22</td> <td>24</td> </tr> </tbody> </table>						G	M6	M8	M10	M12	M14	M16	M18	M20	SW	10	10	12(13)	14	17	19	22	24			
G	M6	M8	M10	M12	M14	M16	M18	M20																		
SW	10	10	12(13)	14	17	19	22	24																		
* Please contact																										

Distributor:

SYSCOM 02 Srl Bucuresti

Tel./ Fax.: 021 410 5281; mobil: 0722 725659; e-mail: [syscom02@automatizariindustriale.ro](mailto:syscom02@automatizariindustriale.ro);

[www.automatizariindustriale.ro](http://www.automatizariindustriale.ro)

**Ordering code TSAG(2,L,L2) - G1G2.G3.G4.G6.G7.G8.G9.G10.G11.G12.G14.G15 - #1**

Code	Feature or option	Code values	
G1	Number of sensors	1 or 2	
G2	Sensor	RB - Pt50, RD - Pt100, RF - Pt500, RG - Pt1000, RH - Cu50, RK - Cu100, RP - PTC 1k, RQ - PTC 2k, J - T/C type "J", K - T/C type "K", T - T/C type "T"	
G3	Temperature range	T1 - -50...400 °C, T3 - 0...850 °C <sup>(3)</sup> , T4 - 0...800 °C <sup>(3)</sup> , T7 - 0...200 °C, T8 - 0...400 °C, T9 - -50...200 °C, T12 - 50...100 °C, T19 - 0...100 °C, T22 - -200...200 °C	
G4	Diameter 'd' [mm]	RTD	4, 5, 6, 8
		T/C	5, 6, 8
G6	Probe length 'n' [mm]	10...200 (see tables overleaf)	
G7	Probe length 'm' [mm] <sup>(1)</sup>	30...100 (see tables overleaf)	
G8	Cable length 'k' [m] and type	1GL...10GL - glass fiber, 1SL...10SL - silicone, 1TF...10TF - Teflon®, 1PU...10PU - polyurethane <sup>(3)</sup> , 1MF...10MF - mineral fiber, 1PV...10PV - PVC	
G9	Mounting connection	Q0 - M16x1.5, Q1 - M18x1.5, Q2 - M20x1.5, Q3 - G3/8", Q4 - G1/2", Q7 - M12x1.5, Q8 - M14x1.5, Q10 - 1/2" NPT, Q18 - G1/8", Q19 - 1/8" NPT, Q20 - M10x1, Q23 - G1/4", Q24 - 1/4" NPT, Q26 - M8x1, Q29 - M8x1.25, Q30 - M10x1.5, Q31 - M6x1, Uxx - union nut (xx - same as for Qxx)	
G10	Sheath material (wetted parts)	M1 - 1.4301, M2 - 1.4541, M3 - 1.4571, M9 - 1.4404	
G11	Accuracy class	RTD	X - none (for non Pt sensors), A - 'A', B - 'B', C - '2xB'
		T/C	1 - '1' <sup>(3)</sup> , 2 - '2'
G12	Number of wires <sup>(2)</sup>	2, 3, 4 <sup>(3)</sup>	
G14	Tip shape	RTD	X - standard closed, N - narrowed, P - pitted
		T/C	X - standard (isolated from sheath), G - grounded, E - exposed hot junction, O - open-tube design
G15	Connector	X - none, C3 - 4-pin male plug-in connector ø8 (for H5700 thermometer only), C5 - T/C connector, C6 - miniature T/C connector	
#1	Options	X - none, OV - vibration proof (MgO or Silicone filled), OS - cable protection SS spring (≈ 50 mm), OB - braid termination lead (only w/o connector), OP - electrochemically polished sheath surface	

<sup>(1)</sup> Only for TSAG2 and TSAGL2!

<sup>(2)</sup> Only for RTD sensors!

<sup>(3)</sup> Contact

Distributor:

SYSCOM 02 Srl Bucuresti

Tel./ Fax.: 021 410 5281; mobil: 0722 725659; e-mail: [syscom02@automatizariindustriale.ro](mailto:syscom02@automatizariindustriale.ro);

[www.automatizariindustriale.ro](http://www.automatizariindustriale.ro)