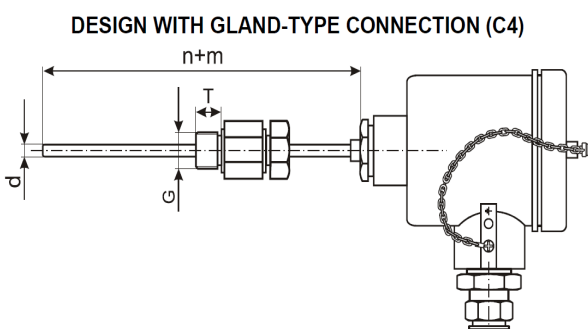
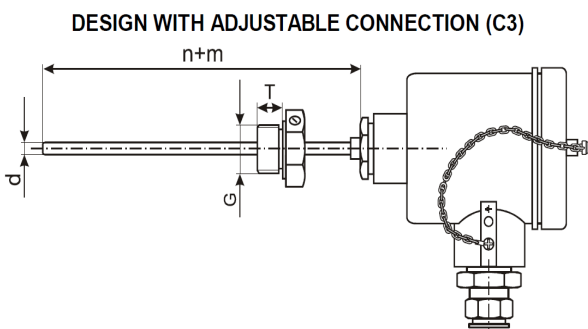
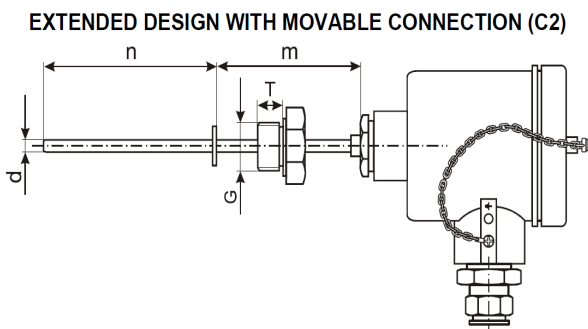
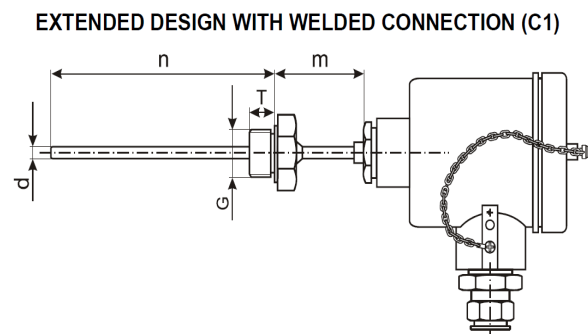
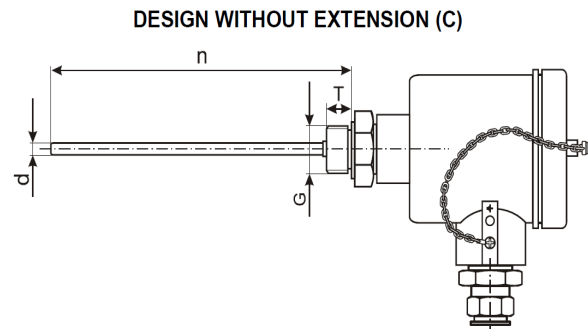


Termocouple tip TSCex – aprobare ATEX

T/C PROBE WITH PROTECTION HEAD Cx (TSCx)
(FOR IN-HEAD TRANSMITTER)** OCx (TSOCx)
 Sheath - stainless steel (see Appendix - Sheath materials)
 Head - aluminum, stainless steel, iron, or plastic (see Appendix - Protection heads)

SENSITIVE ELEMENT	TEMPERATURE RANGE	DIMENSIONS		
		n [mm]	d [mm]	wires



Regular Thermocouple Design					
1(2) x J 1(2) x L	T4	0...800 °C	50...1500 50...3000	6 8, 10, 12, 14, 16, 20, 22	2 (2x2)
1(2) x K	T3	0...850 °C	50...1500	6	2 (2x2)
	T16 T6*	0...1100 °C 0...1150 °C	50...3000	8, 10, 12, 14, 16, 20, 22	
1(2) x E	T3	0...850 °C	50...1500	6	2 (2x2)
	T13	0...1000 °C	50...3000	8, 10, 12, 14, 16, 20, 22	
1(2) x S 1(2) x R	T16	0...1100 °C	50...1500	6	2 (2x2)
	T6*	0...1150 °C	50...3000	8, 10, 12, 14, 16, 20, 22	
MI Thermocouple Design					
1 x J 2 x J	T4	0...800 °C	50...50000	3, 4.5, 6, 8, 10*	2 2x2
1 x T 2 x T					T8
1 x K 1 x N, 1 x E	T3	0...850 °C	50...50000	3, 4.5, 6, 8, 10*	2
	T16	0...1100 °C			
2 x K 2 x N, 2 x E	T6*	0...1150 °C	50...50000	3, 4.5, 6, 8, 10*	2x2
	T6*	0...1250 °C			
2 x S 2 x R	T16 T6*	0...1100 °C 0...1150 °C	50...10000	3, 4.5, 6	2x2

Protection head:
 MB, G, N, Cx, Ex, EX (see Appendix - Protection heads)

Process connection 'G' (nipple or union nut):
 - M16x1.5(Q0), M18x1.5(Q1), M20x1.5(Q2), M27x2(Q5), M33x2(Q25)
 - 3/8"(Q3/Q9), 1/2"(Q4/Q10), 3/4"(Q6/Q11), 1"(Q12/Q15)
 - welded or adjustable flange
 - other
 - w/o mounting appliances

Thread length:
 - cylindrical thread: T = 15 mm
 - NPT thread: according to ANSI B1.20.1

Thermal isolation between nipple and metal head: (for TS(O)C only)

Protection head	Length 'n'	Maximum temperature	Insulation material
MA, MB	up to 50 mm	200 °C	POM
B	up to 100 mm		
other	up to 150 mm		

Extension length:
 m = 0...1500 mm

Extension diameter: (for TS(O)C1 and TS(O)C2 only, [mm])

Ext. length 'm'	Probe diameter 'd'			
	4.5, 6 mm	8 mm	10 mm	10+ mm
up to 50 mm	d	d	d	d
50...150 mm	8	d	d	d
150...500 mm	10	10	d	d
500+ mm	14	14	14	d

Tip shape (hot junction design):
 standard (isolated) (see Appendix - Tip shapes)

Process pressure:

Probe design	C, C1	C2	C4	C3
Max. pressure *	25 bar	16 bar	6 bar	0 bar

Sheath material:
 1.4401/1.4404(M9), 1.4541(M2), 1.4571(M3), 1.4762(M4), 1.4841(M5), 1.4845(M6), 1.4876(M7), 2.4816(M8), 1.4362 (M15)

MI sheath material:
 1.4401/1.4404(M9), 1.4541(M2), 1.4571(M3), 1.4762(M4), 1.4841(M5), 1.4876(M7), 2.4816(M8), Microbell® (M10)

Accuracy class:
 '1' or '2' (see Appendix - T/C Tolerance)

* Please contact
 ** Order transmitter separately!!!

Ordering code TS*(1,2,3,4) - G0.G1G2.G3.G4.G6.G7.G9'9".G10.G11 - #1.#2.EX

Code	Feature or option	Code values
*	Base model variant	C - standard (w/ terminal block), OC - prepared for in-head transmitter (w/o terminal block)
G0	Protection head	ATEX approval: II 3G Ex e IIC T6 II 3D ExtD A22 IP65 CC - type "CC", CS - type "CS", ES - type "ES", G - type "G", MB - type "MB", N - type "N"
		ATEX approval: II 2G Ex d IIC T6 II 2D ExtD A21 IP65 EG - type "EG", EGS - type "EGS", EGW - type "EGW", EX - explosion-proof instrument housing (specify!)
G1	Number of thermocouples	1 or 2
G2	Thermocouple	E - type "E", J - type "J", K - type "K", L - type "L", N - type "N", R - type "R", S - type "S", T - type "T"
G3	Temperature range	T3 - 0...850 °C, T4 - 0...800 °C, T6 - 0...1200 °C ⁽⁷⁾ , T13 - 0...1000 °C, T16 - 0...1100 °C
G4	Diameter 'd' [mm]	regular T/C 6, 8, 10, 12, 14, 16, 20, 22
		MI T/C 3, 4.5, 6, 8, 10
G6	Probe length 'n' [mm] ⁽¹⁾	50...50000 (see table overleaf)
G7	Probe length 'm' [mm] ⁽²⁾	0...1500
G9'	Mounting connection	X - no mounting appliances ⁽³⁾ , Q0 - M16x1.5, Q1 - M18x1.5, Q2 - M20x1.5, Q3 - G3/8", Q4 - G1/2", Q5 - M27x2, Q6 - G3/4", Q9 - 3/8" NPT, Q10 - 1/2" NPT, Q11 - 3/4" NPT, Q12 - G1", Q15 - 1" NPT, Q25 - M33x2, Uxx - union nut (xx - same as for Qxx), F - flange (specify!), Z - other connection (specify!)
G9"	Compression fitting ferrule ⁽⁴⁾	BR - brass, GR - graphite, SS - stainless steel, TF - Teflon®
G10	Sheath material (wetted parts)	regular T/C M2 - 1.4541, M3 - 1.4571, M4 - 1.4762, M5 - 1.4841, M6 - 1.4845, M7 - 1.4876, M8 - 2.4816, M9 - 1.4401 (1.4404), M15 - 1.4362
		MI T/C M2 - 1.4541, M3 - 1.4571, M4 - 1.4762 (1.4749), M5 - 1.4841, M7 - 1.4876 (Incolloy 800), M8 - 2.4816 (Inconel 600), M9 - 1.4401 (1.4404), M10 - Microbell®
G11	Accuracy class	1 - '1' ⁽⁷⁾ , 2 - '2'
#1	Options	X - none, OV - vibration proof (spring terminals ⁽⁷⁾ , secured screws), OT - thermal isolation ⁽³⁾ , OP - electrochemically polished sheath surface ⁽⁵⁾
#2	Local indicator	X - none, A - local indicator mounted ⁽⁶⁾

⁽¹⁾ 'n+m' for TS(O)C3 and TS(O)C4!

⁽²⁾ Only for TS(O)C1 and TS(O)C2!

⁽³⁾ Only for TS(O)C!

⁽⁴⁾ Only for TS(O)C4!

⁽⁵⁾ Only for non-MI (regular) sheath types!

⁽⁶⁾ With windowed head only! See indicator datasheets and order separately!

⁽⁷⁾ Contact

Distributor:

SYSCOM 02 Srl Bucuresti

Tel./ Fax.: 021 410 5281; mobil: 0722 725 659; e-mail: syscom02@automatizariindustriale.ro;
www.automatizariindustriale.ro